

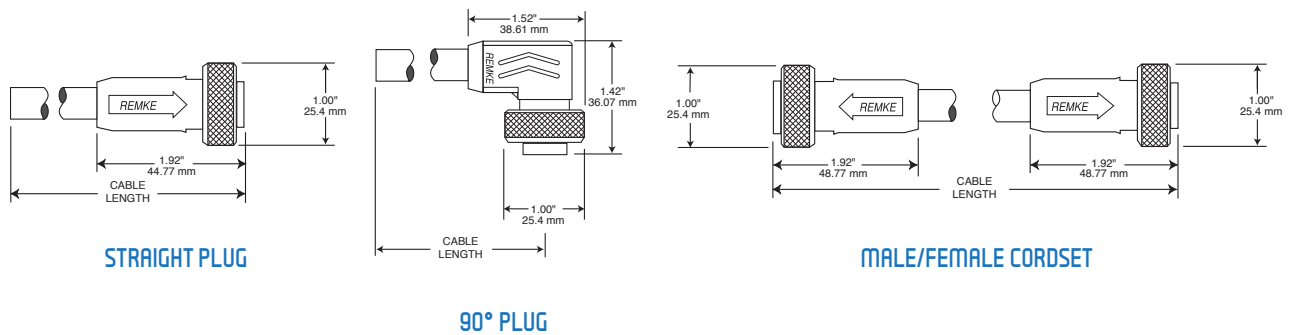


2 TO 5 POLE HI-TEMP SILICONE MINI-LINK™ ASSEMBLIES

SPECIFICATIONS			
MATERIALS	ELECTRICAL		
Body	Silicone Rubber	Voltage Rating	600 V
Contact	Brass, Gold Plated over Nickel	Contact Resistance	≤5mΩ
Sleeve	Stainless Steel	ENVIRONMENTAL	
Coupling Nut	Machined Aluminum, Black Anodized (stainless steel available)	Protection	IP 67
Cable	#16 AWG Silicone Rubber 65 x #34 stranding -50° C to 180°C, UL Recognized SOOW, CSA Certified	Operating Temp	-50°C to 180°C
Cable Diameters	2/C-.30", 3/C-.32", 4/C-.35", 5/C-.38"	OPTIONS	
		Stainless Steel Hardware can be specified - add "1" after Part Number.	
		Consult the factory for custom cord lengths, and a full range of wire management product accessories.	

PLUGS AND CABLE ASSEMBLIES WITH #16 AWG SOOW-A CABLE

PLUG ASSEMBLY PART NUMBERS									
Number of Poles	Male Face View	Female Face View	Wiring Color Code	AMP RTG. @ 600V	Cable Length	Male Straight	Female Straight	Female 90°	Male/Female Assembly
2			1-White 2-Black	13A	3 FT	102B0030AHT	102A0030AHT	102C0030AHT	102G0030AHT
				13A	6 FT	102B0060AHT	102A0060AHT	102C0060AHT	102G0060AHT
				13A	12 FT	102B0120AHT	102A0120AHT	102C0120AHT	102G0120AHT
				13A	20 FT	102B0200AHT	102A0200AHT	102C0200AHT	102G0200AHT
3			1-Green 2-Black 3-White	13A	3 FT	103B0030AHT	103A0030AHT	103C0030AHT	103G0030AHT
				13A	6 FT	103B0060AHT	103A0060AHT	103C0060AHT	103G0060AHT
				13A	12 FT	103B0120AHT	103A0120AHT	103C0120AHT	103G0120AHT
				13A	20 FT	103B0200AHT	103A0200AHT	103C0200AHT	103G0200AHT
4			1-Black 2-White 3-Red 4-Green	10A	3 FT	104B0030AHT	104A0030AHT	104C0030AHT	104G0030AHT
				10A	6 FT	104B0060AHT	104A0060AHT	104C0060AHT	104G0060AHT
				10A	12 FT	104B0120AHT	104A0120AHT	104C0120AHT	104G0120AHT
				10A	20 FT	104B0200AHT	104A0200AHT	104C0200AHT	104G0200AHT
5			1-White 2-Red 3-Green 4-Orange 5-Black	8A	3 FT	105B0030AHT	105A0030AHT	105C0030AHT	105G0030AHT
				8A	6 FT	105B0060AHT	105A0060AHT	105C0060AHT	105G0060AHT
				8A	12 FT	105B0120AHT	105A0120AHT	105C0120AHT	105G0120AHT
				8A	20 FT	105B0200AHT	105A0200AHT	105C0200AHT	105G0200AHT



CORD CONNECTORS

WIRE MESH GRIPS

PICO-LINK

MICRO-LINK

ETHERLINK

MINI-LINK

MULTI-PORT BOXES

BUS SYSTEM PRODUCTS